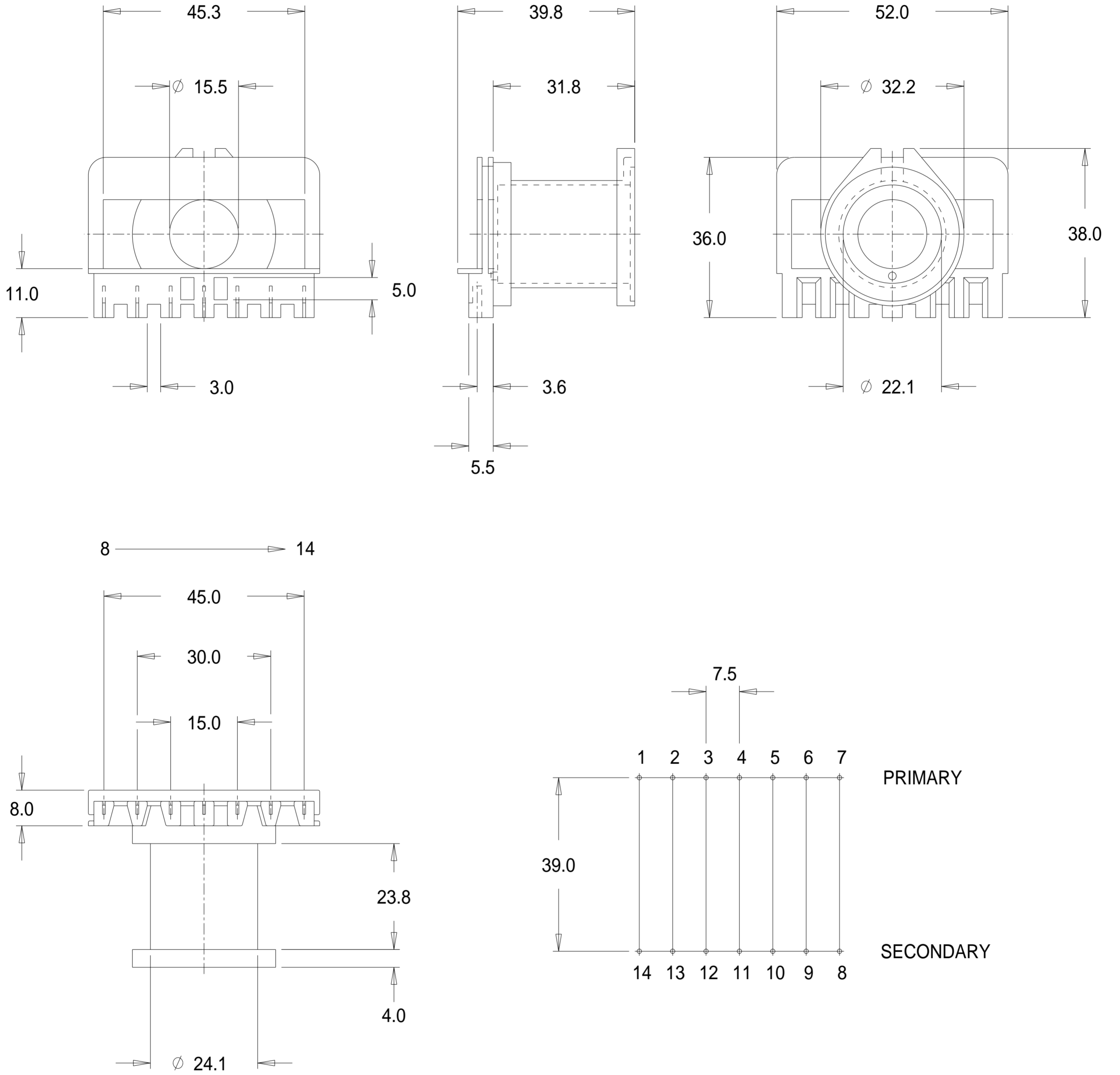


Part No. FD7026  
ETD 44 Secondary Bobbin



Dimensions in millimetres.

